



STRUCTGLASS
RAILING BALUSTRADE



INTRODUCING AUSTRALIA'S SAFEST STRUCTURAL GLASS BALUSTRADE SYSTEM ON THE MARKET TODAY, PROVIDING UNINTERRUPTED VIEWS FROM BALCONIES, ENTERTAINMENT AREAS AND POOL SURROUNDS.

INTERLINKING HANDRAIL NOT REQUIRED IN THIS NEW AND INNOVATIVE BALUSTRADE DESIGN.

A FIRST TO WORLD CONCEPT - MODULAR FRAMELESS STRUCTURAL GLASS PANELS WITH PRE-MANUFACTURED POSTS THAT CAN BE ADJUSTED TO SUIT ONSITE.
DESIGNED, ENGINEERED, TESTED AND APPROVED TO INTERNATIONAL STANDARDS.

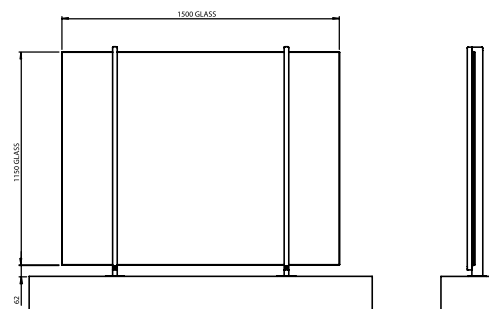
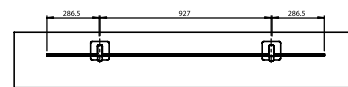
COMMERCIAL APPLICATION

Any application requiring a resilient barrier that will stay in place, should any part of the barrier be compromised or damaged, such as on Multi-Storey Buildings, Health Care Facilities, Aged Care Facilities, Schools and Shopping Precincts.

KEY FEATURES

- > 20% higher than required building codes
- > Remains in place when glass panel is damaged or compromised
- > No interlinking handrail required
- > Stocked Modular Sizes
- > NCC Performance Solution

ELEVATION AND SECTION VIEW



StructGlass - 1500 PANEL

StructGlass - 1500 Panel



AVAILABLE AUSTRALIA WIDE

LONG TERM WARRANTY

Glass - 10 years
Structural Posts - 20 years
Powder Coat Durability - 20 years

SPECIFIC DIMENSIONS

Standard Panel Sizes:

150mm, 300mm, 450mm, 600mm, 750mm,
900mm, 1050mm, 1200mm, 1350mm,
1500mm, 1650mm, 1800mm

Refer to CAD Drawings

Alternative, custom design options for higher
balustrades available on request

Glass Thickness 11.52mm

Post Size 60mm x 25mm

MATERIAL

Solid aluminium CNC machined posts, powder coated.
SGP Interlayer Structural Laminated Glass - multiple
colour variations and artwork can be incorporated.

CUSTOMISABLE

StructGlass Balustrade Systems offer flexibility to suit
your needs:

- > Glass can be supplied in various colours, privacy
applications, artwork and photo imaged.
- > Handrail options available.

RECOMMENDED POWDER COAT SUPPLIERS COLOUR RANGE:

- > Dulux Duratec
- > Interpon Ultriva
- > Custom powder coat colours available

LEAD-TIME

2 to 4 weeks from shop drawing approval to site

INSTALLATION

70% less time to install than traditional systems
Simple to install means less time onsite and reduction in risk
Typically allow 15 minutes per metre to install per crew

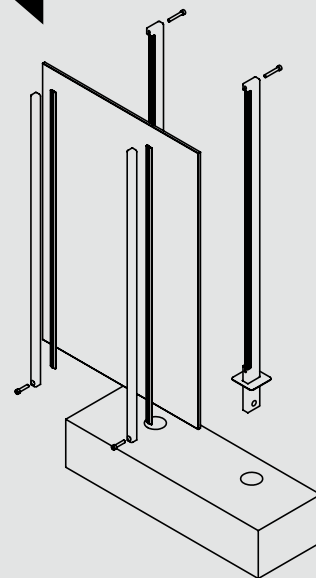
SUPPORT AND SPARE PARTS

Bolts, grout, posts & components are all in stock

REGISTERED DESIGN PATENT IN AUSTRALIA AND USA



PROFILE



STRUCTGLASS - 750 PANEL EXPLODED VIEW



**CONTACT AN AMA SPECIALIST TODAY
AND FIND OUT HOW OUR TEAM CAN
ENSURE YOUR PROJECT IS UNIQUE, ON
TIME AND MEETS BUDGET**

(07) 5493 8333
sales@amau.com.au
15-17 Bearing Ave, Warana, QLD, 4575
PO Box 460 Buddina, QLD, 4575