



# STRUCTGLASS

RAILING BALUSTRADE



**THIS IS AUSTRALIA'S SAFEST GLASS BALUSTRADE SYSTEM THAT OFFERS AN UNINTERRUPTED LANDSCAPE VIEW.**  
- NO INTERLINKING HANDRAIL REQUIRED.

A FIRST TO WORLD CONCEPT - MODULAR FRAMELESS STRUCTURAL GLASS PANELS WITH PRE-MANUFACTURED POSTS THAT CAN BE ADJUSTED TO SUIT ONSITE.  
DESIGNED, ENGINEERED, TESTED AND APPROVED AGAINST INTERNATIONAL STANDARDS.

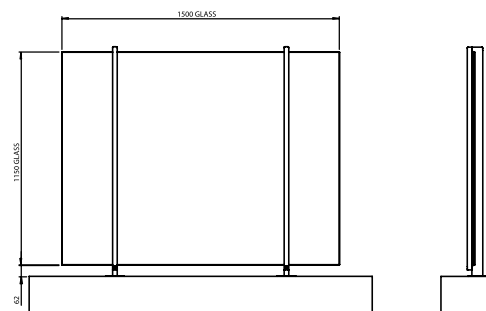
## COMMERCIAL APPLICATION

Any application in which requires a resilient barrier that will stay in place even after the glass is broken, such as Highrises, Health Care, Aged Care, Schools and Shopping Precincts

## KEY FEATURES

- > 20% Higher than required building codes.
- > Remains in place when glass is broken
- > No interlinking handrail required
- > Stocked Modular sizes.
- > Automatic adoption into NCC and AS via the codemark
- > Approval System

## ELEVATION AND SECTION VIEW



SEAVIEW SUITE - 1500 PANEL

## STRUCTGLASS - 1500 PANEL AND EXPLODED VIEW

## AVAILABLE AUSTRALIA WIDE

### LONGTERM WARRANTY

10 Years Glass Warranty  
20 Year Structural Frame  
& Powder Coat Durability Warranty

### SPECIFIC DIMENSIONS

Standard Panel Sizes - 150mm, 300mm, 450mm,  
600mm, 750mm, 900mm, 1050mm, 1200mm, 1350mm  
1500mm, 1650mm, 1800mm  
Refer to CAD Drawings  
Alternative and custom design options for higher  
balustrades are available.  
Glass Thickness 11.52mm  
Post Size 60mm x 25mm

### MATERIAL

Solid aluminium CNC machined posts, powder coated.  
SGP Interlayer Structural Laminated Glass - multiple  
colour variations and artwork can be incorporated.

### CUSTOMISABLE

The StructGlass system has the flexibility to change  
upon request, such as:

- > Coloured, Privacy, Artwork & Image Glass
- > Handrail Options

### RECOMMENDED POWDER COAT SUPPLIERS COLOUR RANGE:

- > Dulux Duratec
- > Interpon Ultriva
- > Custom powdercoat colours available

### LEAD-TIME

2 to 4 weeks from shop drawing approval to site

### INSTALLATION

Speed and easy to install:

**70% less time to install than traditional systems.**

Simple system to install means less time onsite and  
reduction in risk

15 mins per metre to install per crew

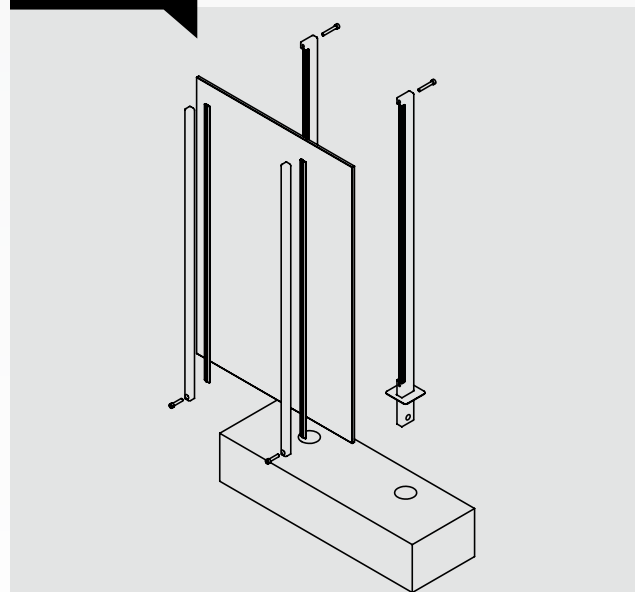
### SPARE PARTS AND SUPPORT

Nuts, grout, posts & components are all in stock

REGISTERED DESIGN PATENT IN AU AND USA



PROFILE



STRUCTGLASS - 750 PANEL EXPLODED VIEW

**CONTACT AN AMA  
SPECIALIST TODAY  
AND FIND OUT  
HOW OUR TEAM  
CAN ENSURE YOUR  
PROJECT IS UNIQUE,  
ON TIME AND MEETS  
BUDGET**



(07) 5493 8333

admin@amau.com.au

15-17 Bearing Ave, Warana, QLD, 4575

PO Box 460 Buddina, QLD, 4575